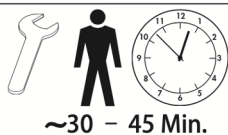


BANC OLYMPIQUE AJUSTABLE

QJ29

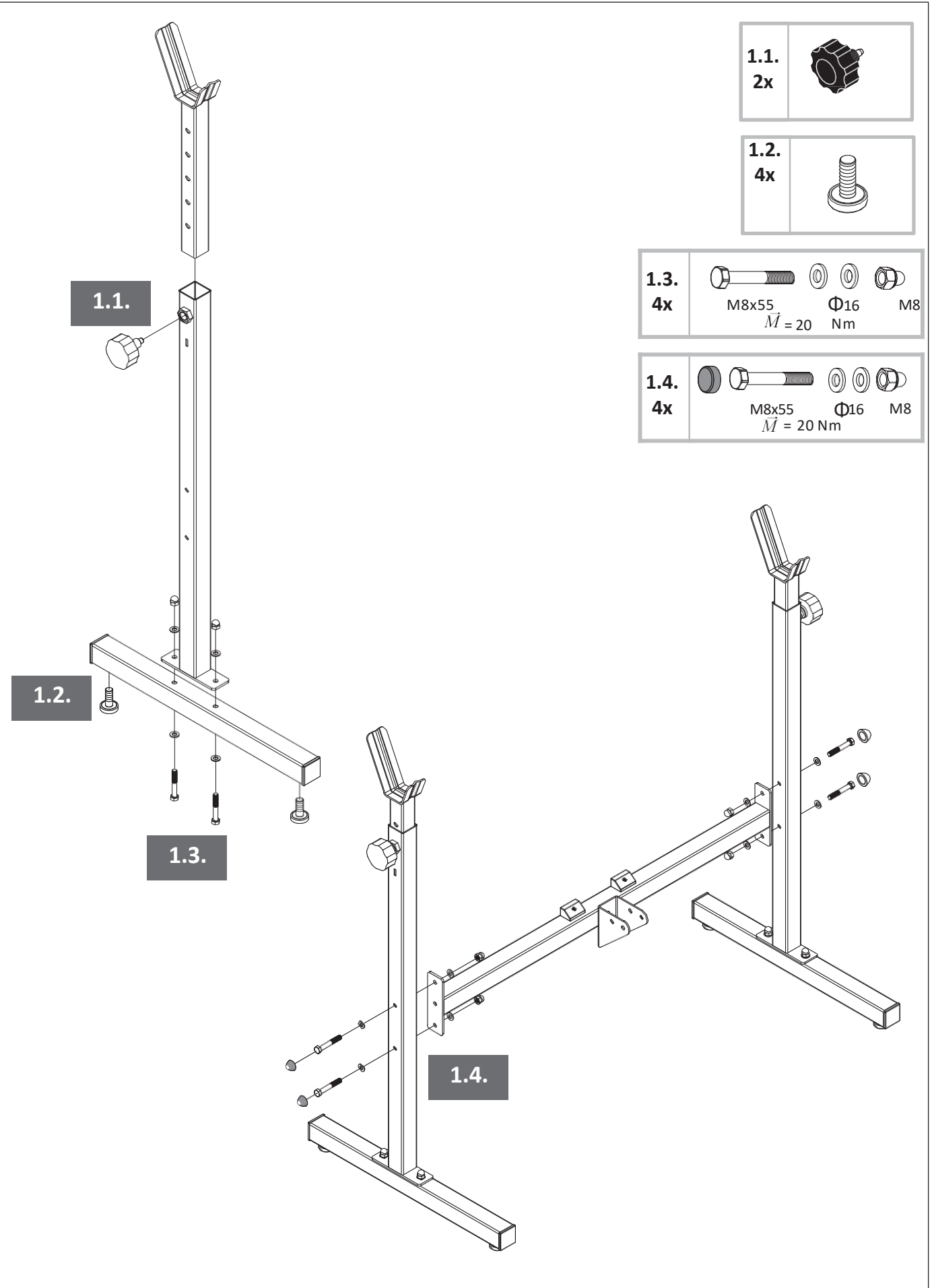


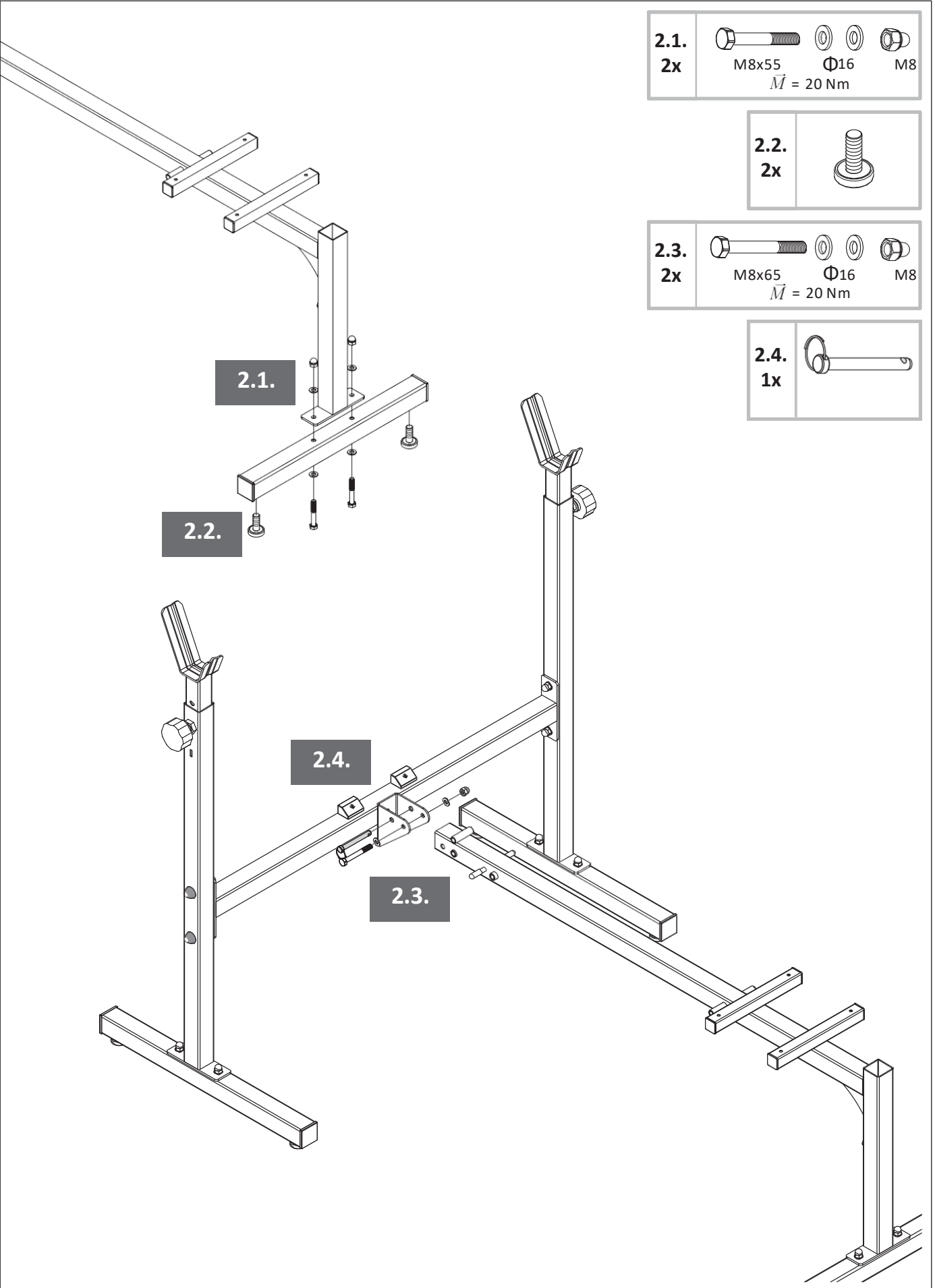
	A	1,8 m
	B	1,10 m
	C	1,19 m
		2,06 m ²
		28 kg



	2				4	
	2			$\Phi 28$	1	
	1			$\Phi 35$	2	
	1			M8	3	
	2			M8	2	
	1				2	
	2				1	
	1				1	
	2				2	
	1			$\Phi 30 \times 12$	6	
	2			M8x45	1	
	1			M8x50	1	
	2			M8x55	10	
	1			M8x60	2	
	1			M8x65	1	
	1			M8x170	1	
	2			M5x20	2	
	1			5x40	12	
	2			4,8x16	1	
	1				32	
	1				4	
	6			M8	16	
	6			M8	2	
	1					
	1					

1.





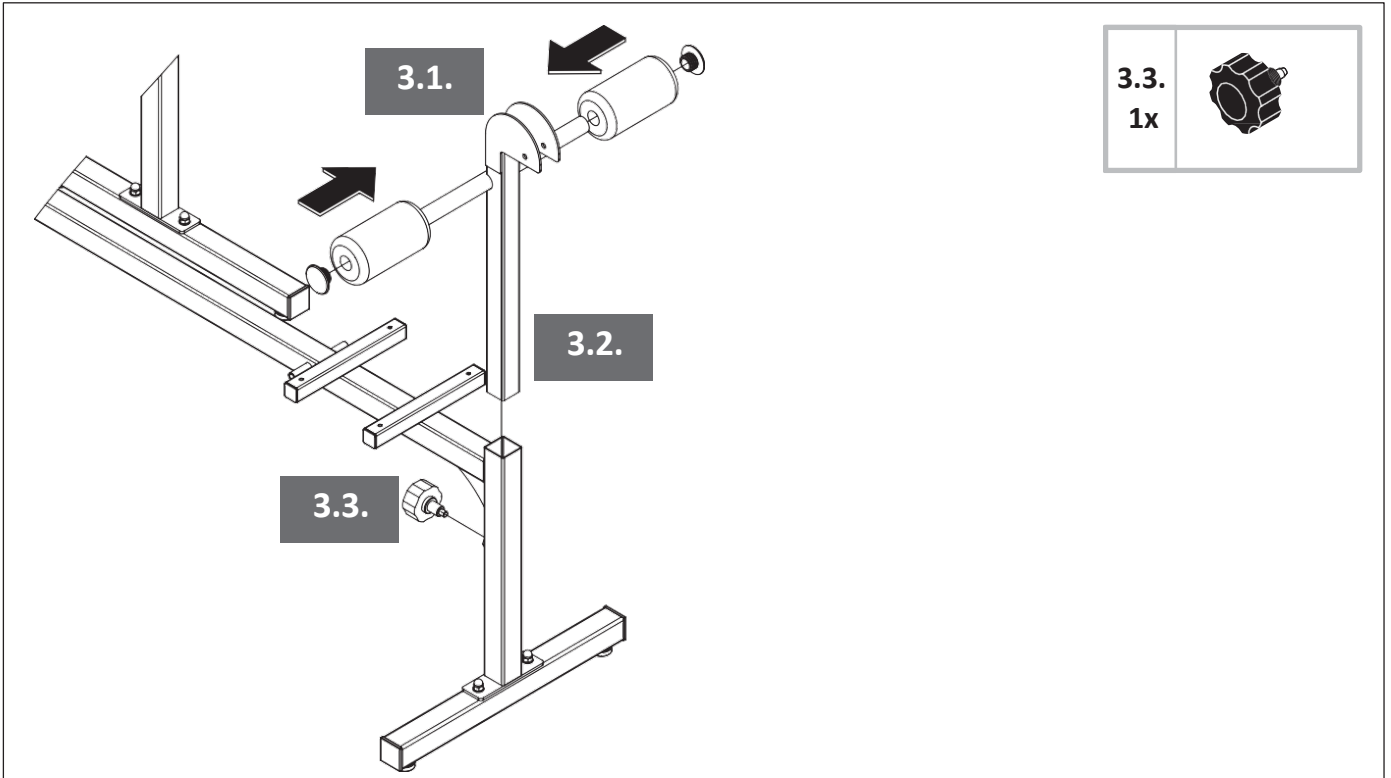
2.1. 2x	<p>M8x55 Φ16 M8 $\vec{M} = 20 \text{ Nm}$</p>
--------------------------	--

2.2. 2x	
--------------------------	--

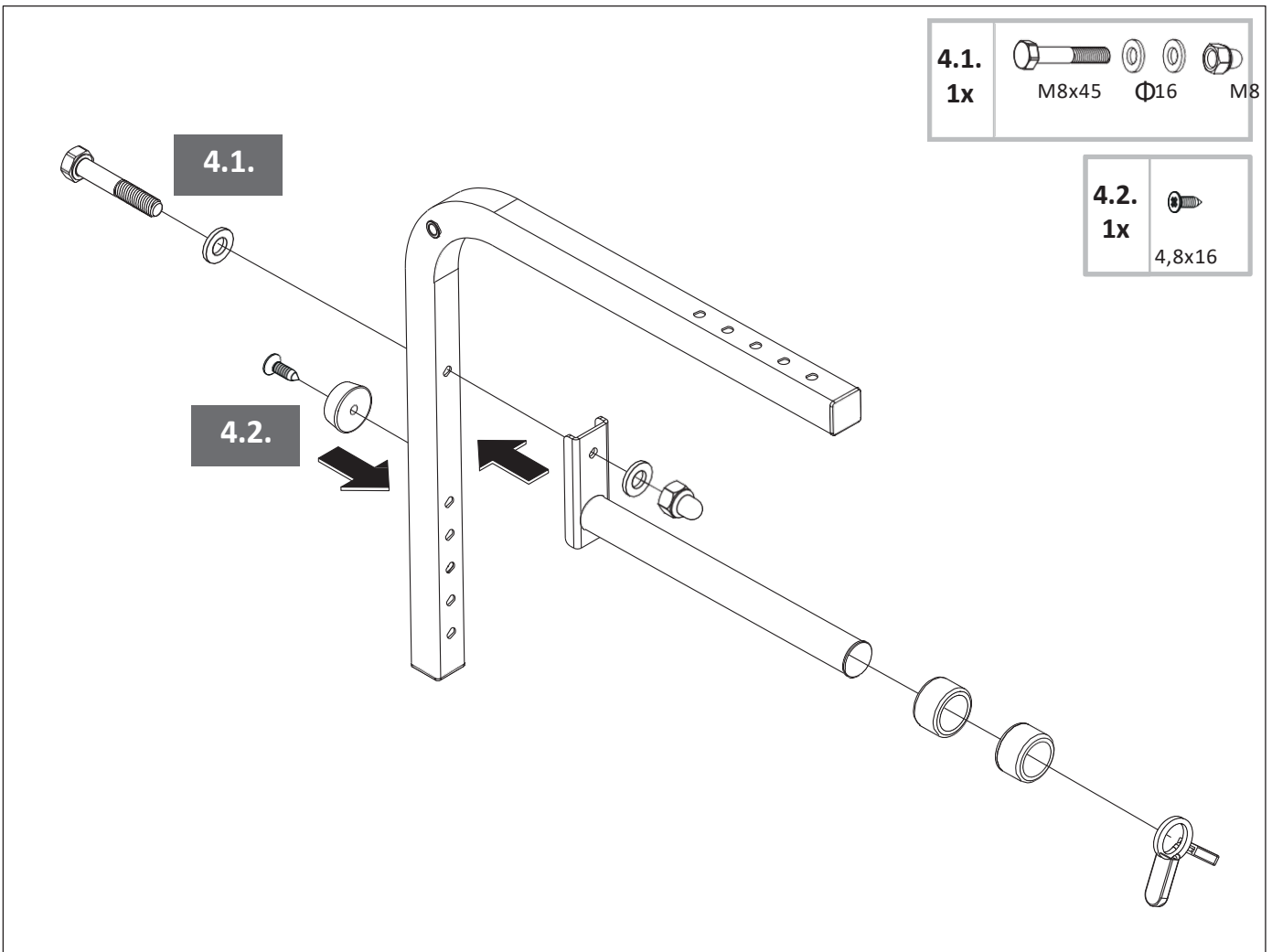
2.3. 2x	<p>M8x65 Φ16 M8 $\vec{M} = 20 \text{ Nm}$</p>
--------------------------	--

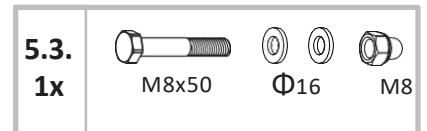
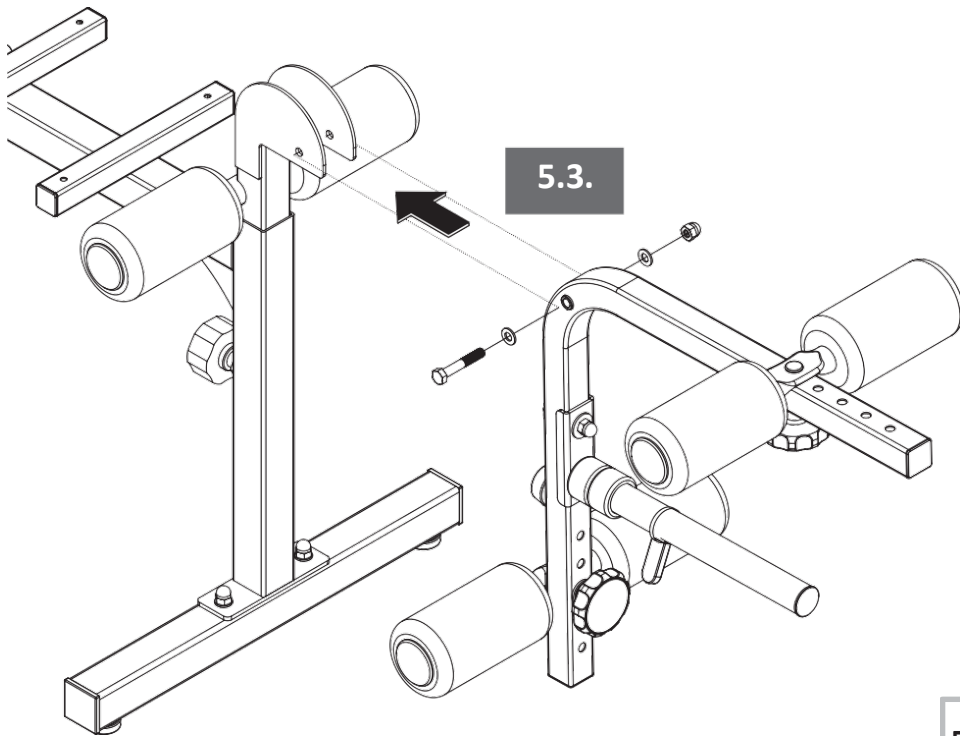
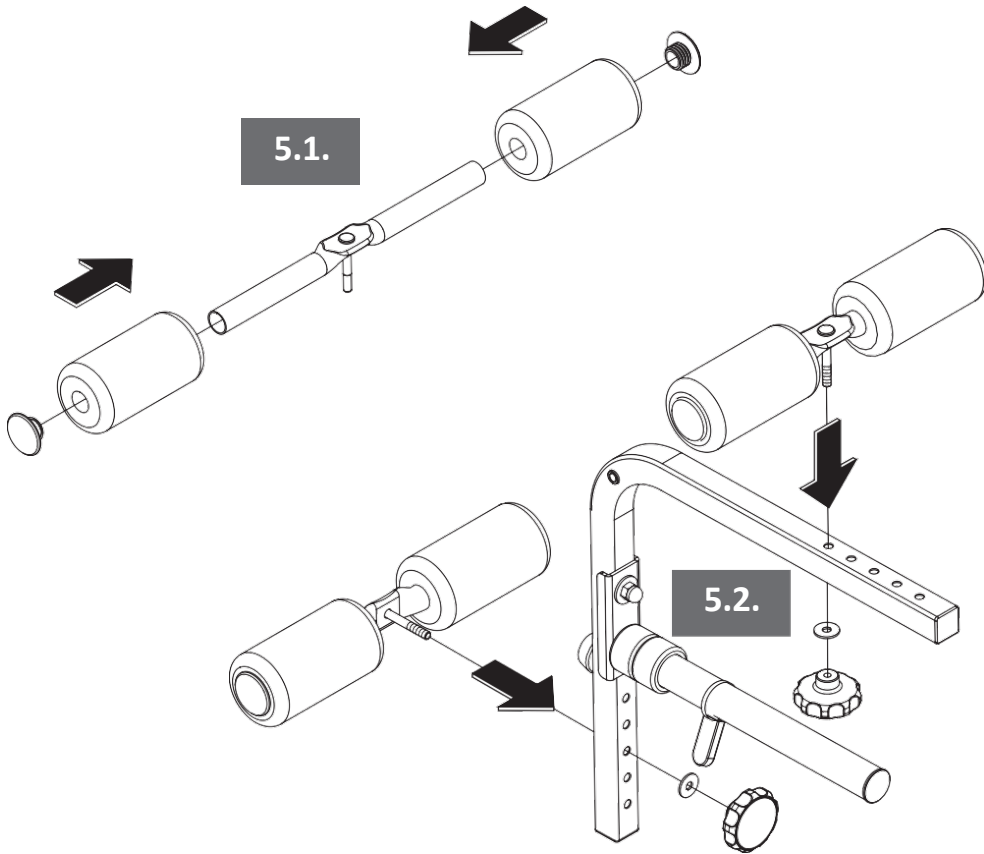
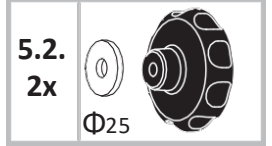
2.4. 1x	
--------------------------	--

3.

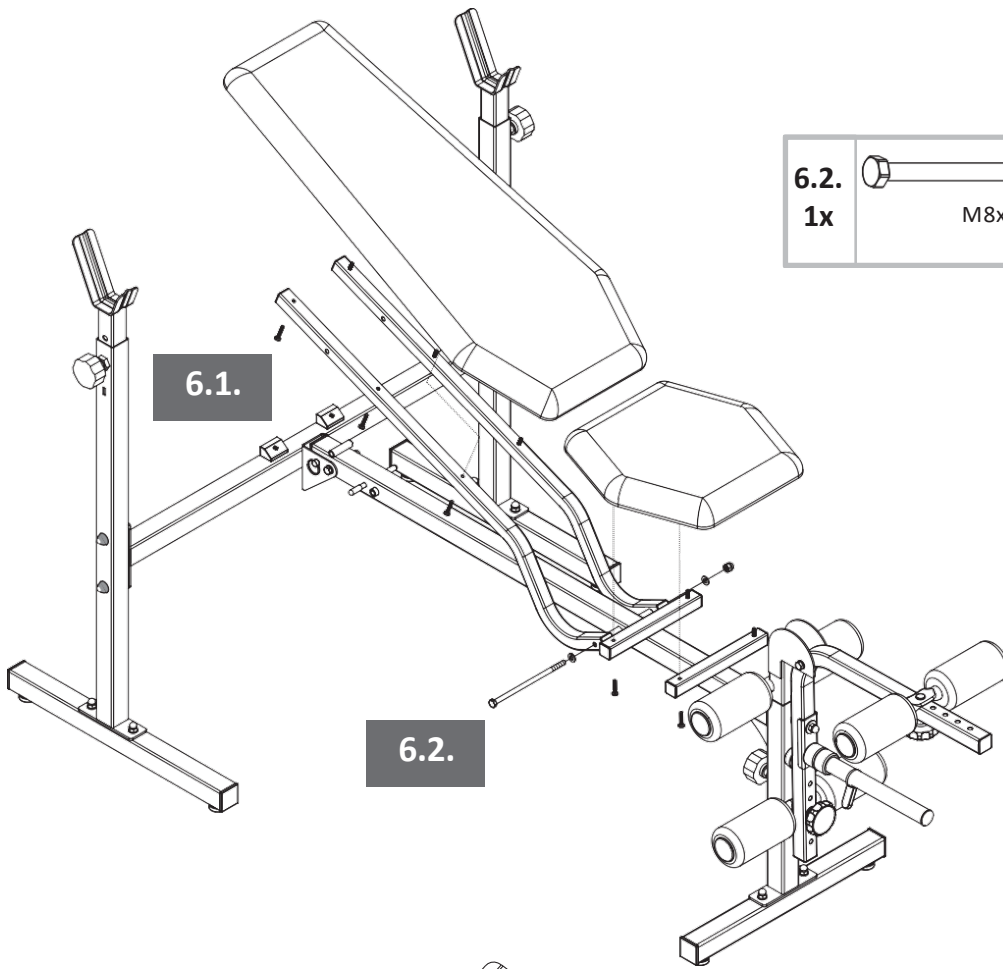



4.






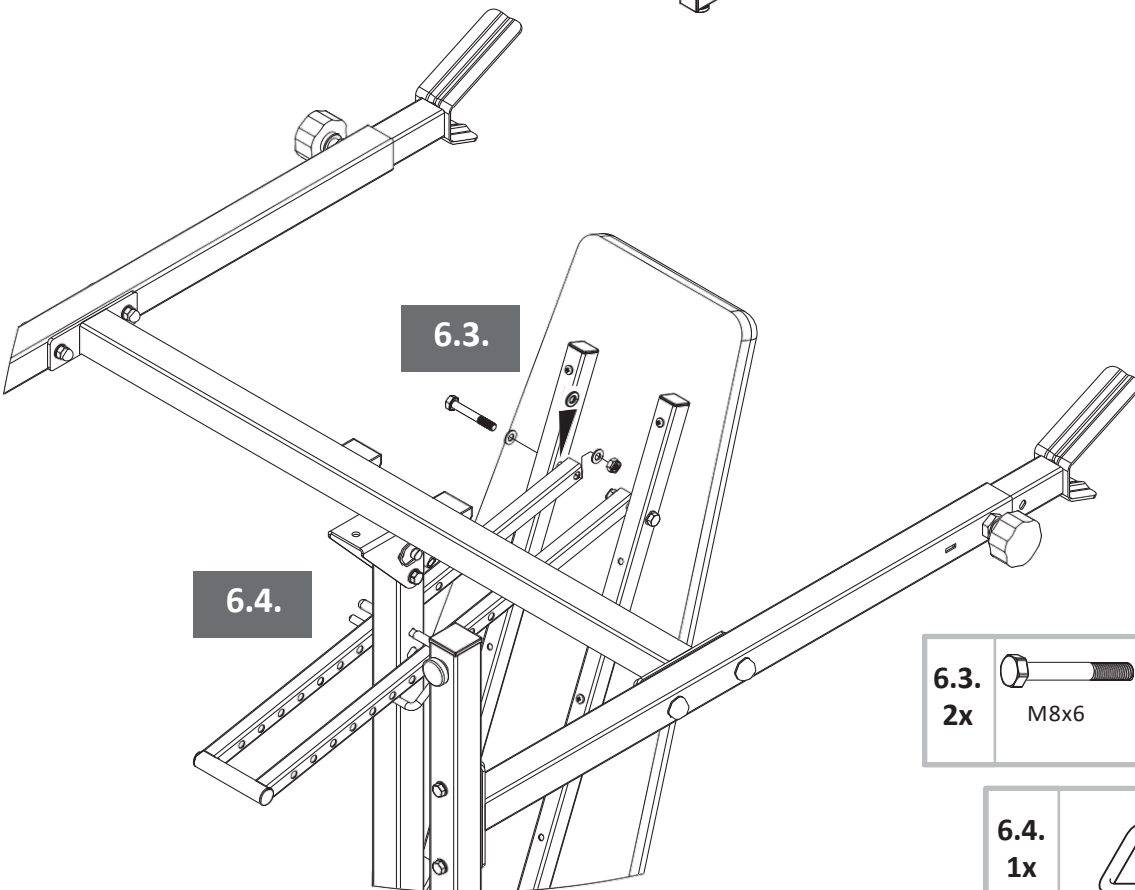





6.




6.1. 12x	 5x40
---------------------------	---

6.2. 1x	 M8x170	 Φ16	 M8
--------------------------	---	--	---



6.3. 2x	 M8x6	 Φ16	 M8
--------------------------	---	--	---

6.4. 1x	
--------------------------	---

